

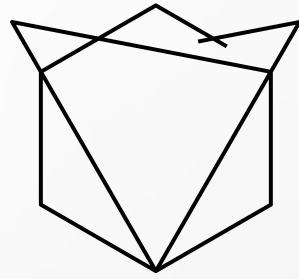


GreyFox



FOCAL

Design: Perch.ie



GreyFox

A Concept of Urbanism

As we move toward higher density living and working in urban environments, we lose touch with our naturalistic roots and biophilic requirements. We shut off from people as our bodies and minds acclimatise to the built environment.

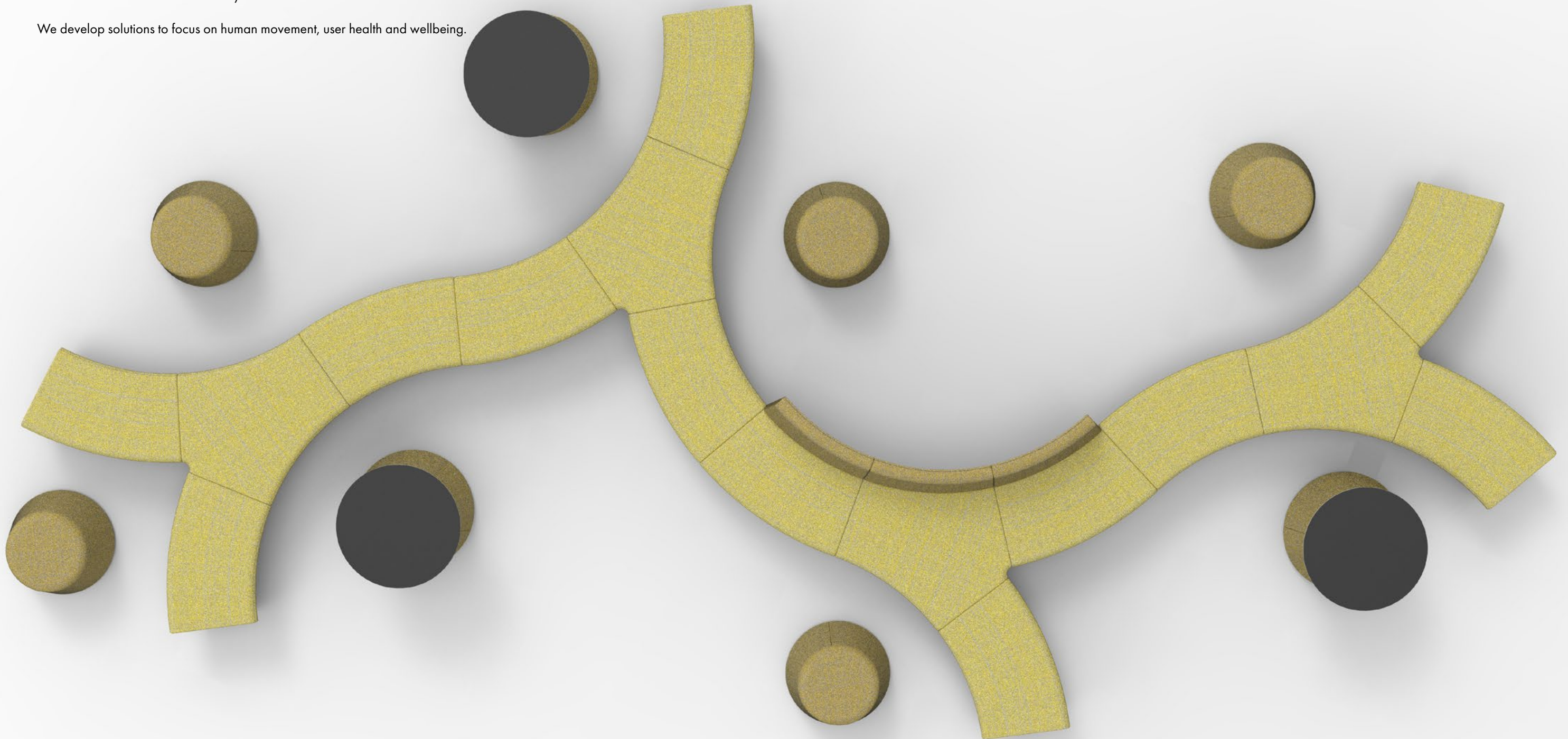
As we move further from the fields, our focus at GreyFox is to reconnect you, through the critical heritages of being human, in the 21st century.

In re-imagining how we work, learn and connect our collections provoke joy and surprise!

At GreyFox we observe, listen and answer to the basic needs of a complex society with a focus on human movement.

GreyFox is a research and design led initiative, whose ambition is to develop, produce and distribute high quality, humanised furniture solutions for the 21st Century.

We develop solutions to focus on human movement, user health and wellbeing.



focal

Design: Perch

We specialise in research-led design for applied human movement. We conduct quantitative and qualitative research, to find out how people communicate, congregate, work and learn. Our passion is developing new solutions in emergent fields, to improve the quality of life for people.

We consider ergonomics, psychology and aesthetics as equally important and we are hugely excited to be developing new and elegant solutions for GreyFox.

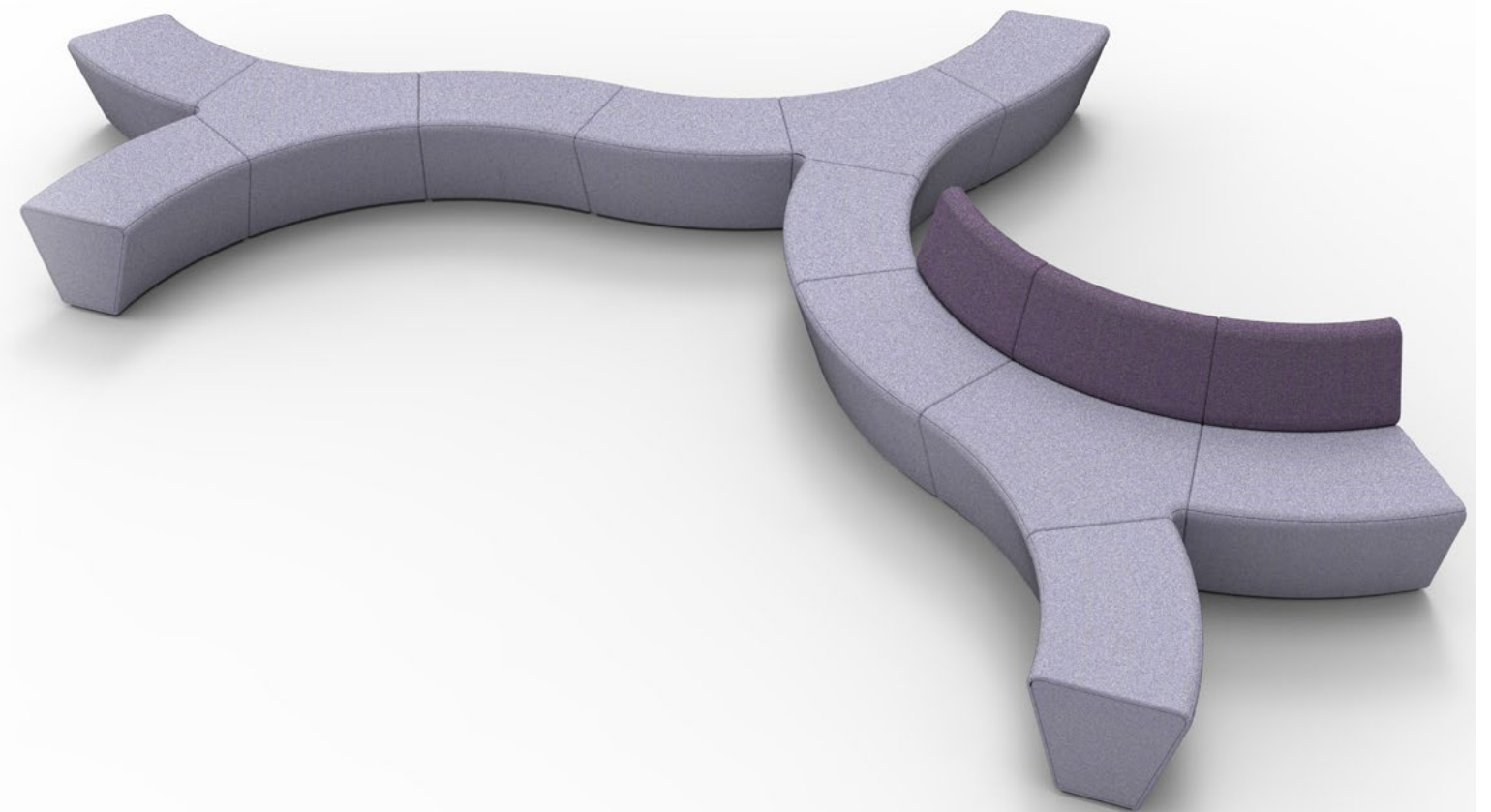


Focal - Conscientious Public Seating

Connectivity is so important. In public spaces, Focal allows you to sculpt your seating in any format and shape you desire, so the users can freely and comfortably form cosy clusters for conversations.

Available in low and high-back, with or without arms, our modular seat form can take you around corners, split and create 'Y' and X junctions and enable the most beautiful organic forms.

Our range of soft seat poufs take many stunning forms, allowing you to fill your space with meaningful and aesthetically beautiful shapes, to enhance interconnectivity.



When we start with a focus, purely on the Human; their psychological, physiological and biophilic needs, we find that the concept, for something new and meaningful, designs itself.

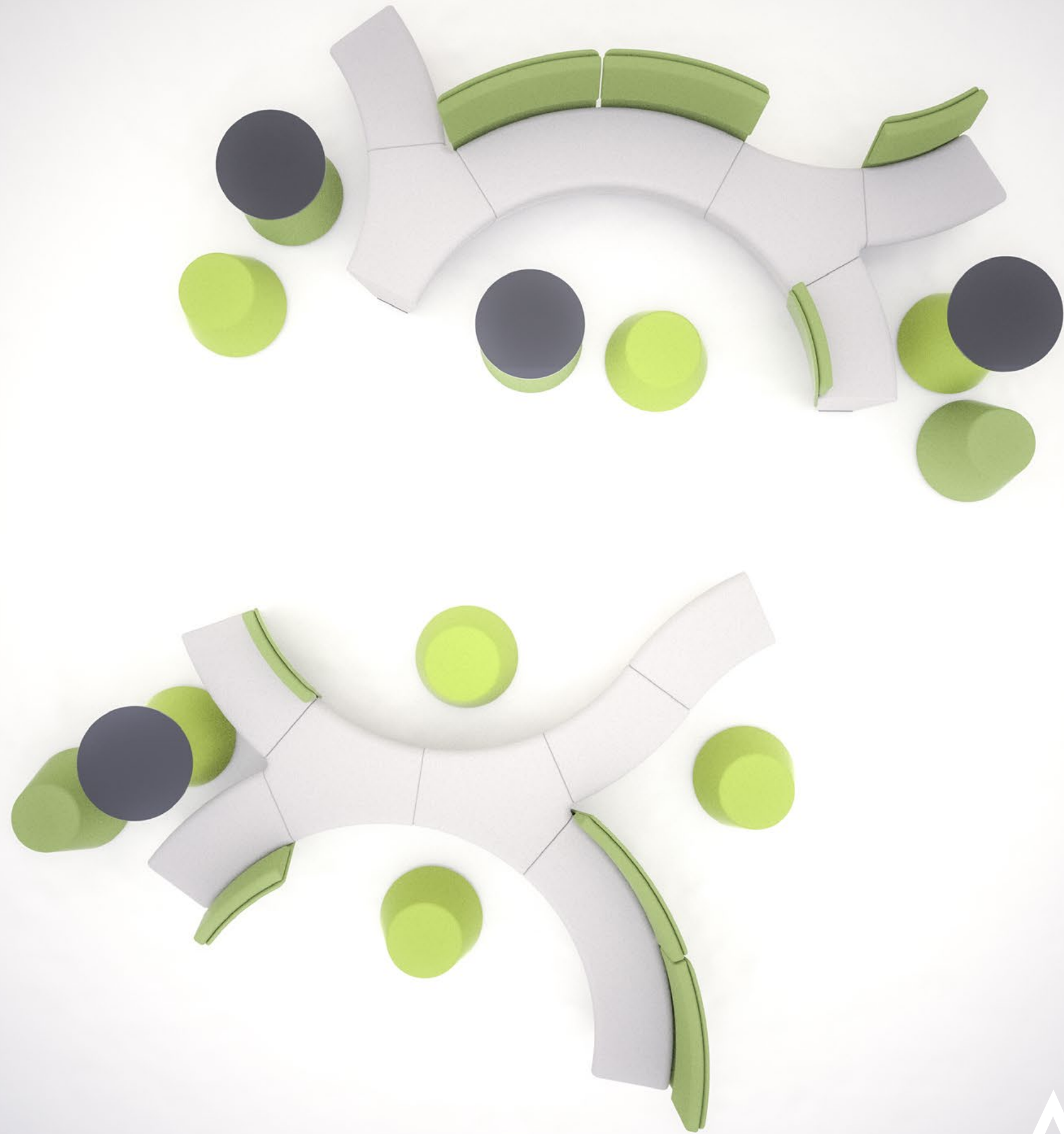
www.perch.ie

Simple, Modular, Elegant

Focal is sculptural, organic and beautiful. It's predominant circular form helps as a natural group conversation enhancement. Public spaces can be areas of elation, but also tension and grief.

Being able to prescribe neighborhoods for conversation and solace allows you to build solutions to tend to the basic needs of the occupants of your space.





Any form

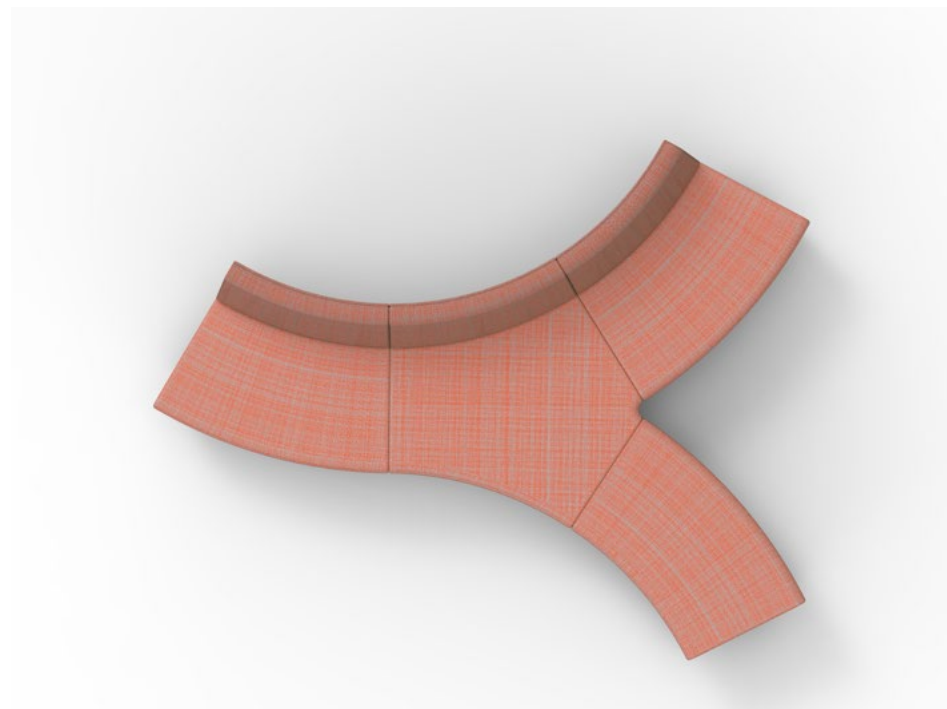
Modular & sculptural

Ideal in public spaces with limitless combinations.



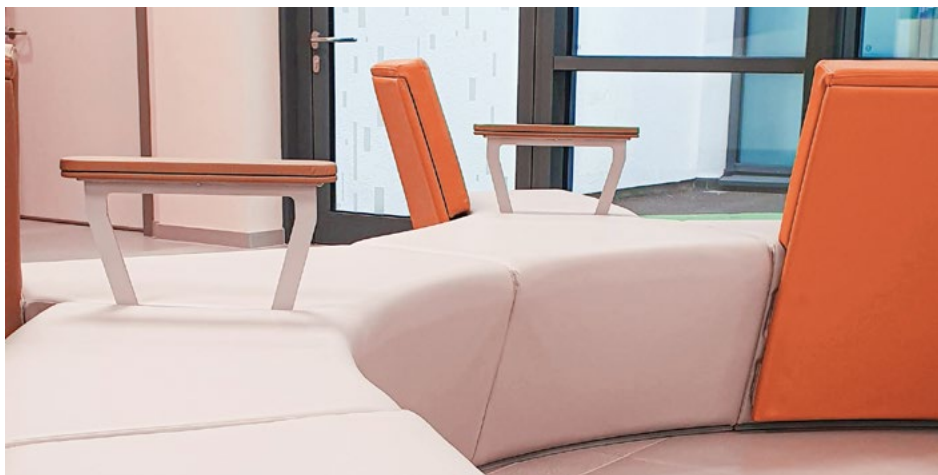
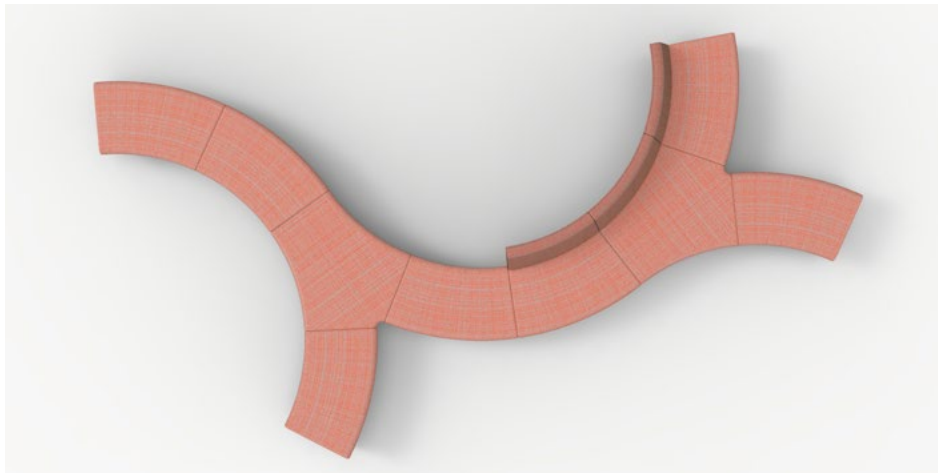
A furniture collection

that is as flexible as you are. For areas of high volume use, such as Schools & Universities, Hospitals and Airports.



Create a Focal Point

for conversations, gatherings and meetings



High Back, for Introversion

when you need more privacy, our taller backed Focal seat option is perfect.



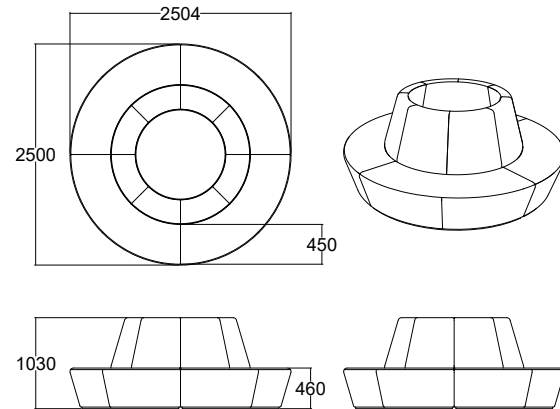
Mix it up

With two different diameters available on the Focal seating, the possibilities are vast for configuration and sculpting the furniture to meet your needs in a space.

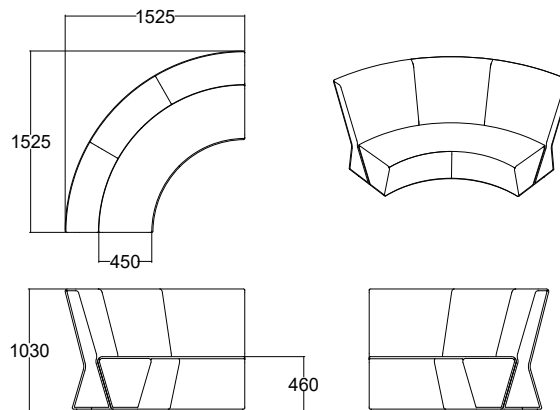




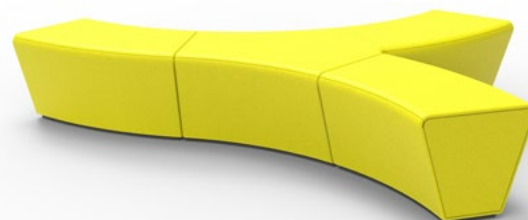
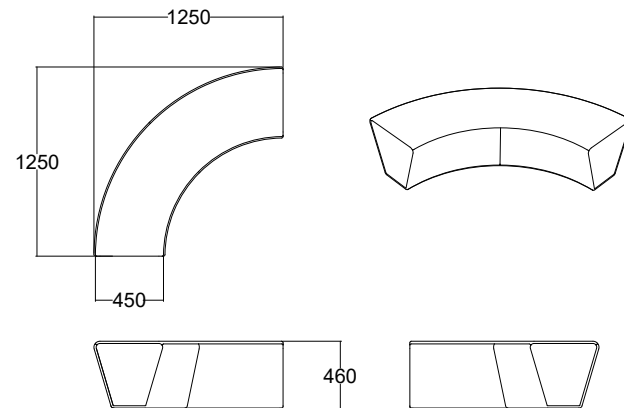
Clan 360
A-200-MBI



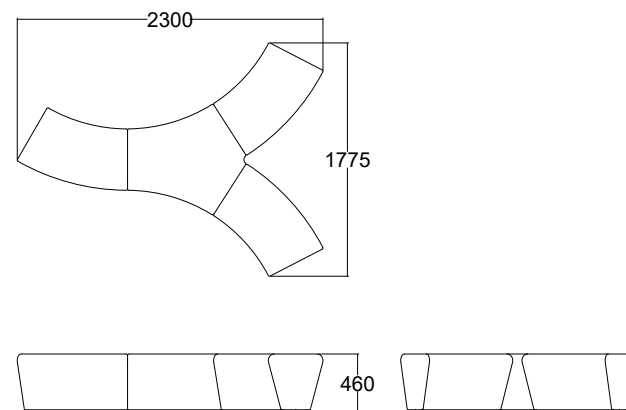
Clan Single with Back
A-200-MBO



Clan Single No Back
A-200



Cara No Back
Y-200
www.greyfox.design

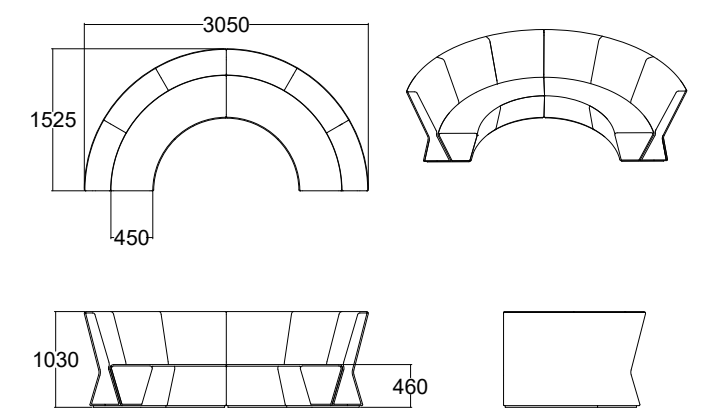
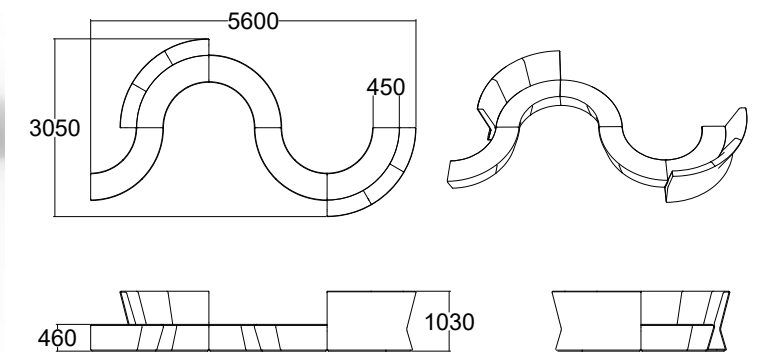
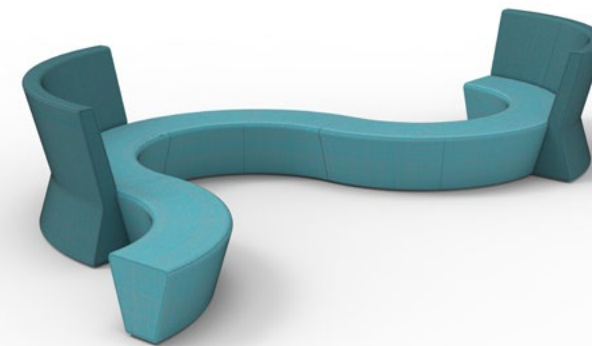
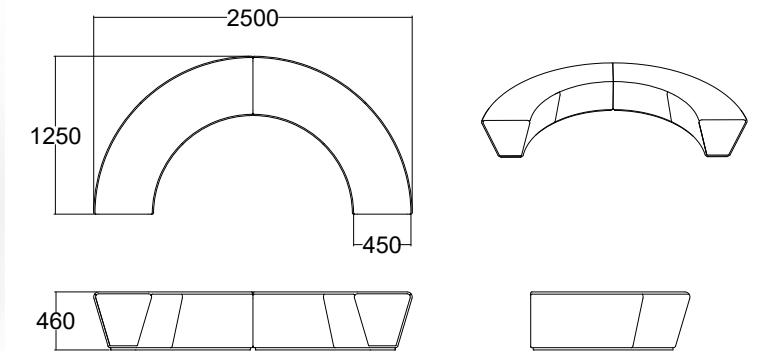
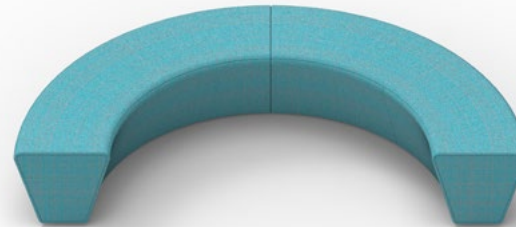
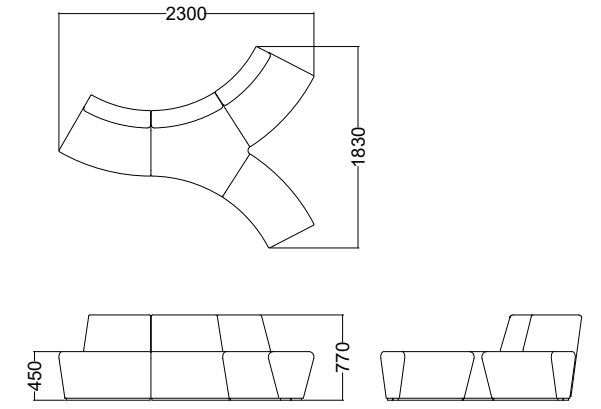


For Healthcare Applications

High-Back, Mid-Back, Low-Back and No-Back options available, in two different radii, which are interchangeable, allowing a huge range of possibilities. Available in vinyl or woven finishes, with or without armrests.



Cara with Back
Y-200-MDI



High-Back & Islands

Build our furniture to suit your needs. Our high and low backs are accompanied by our large range of sculptural island poufs, which are designed to enhance conversations and comfort, in high-density environments.

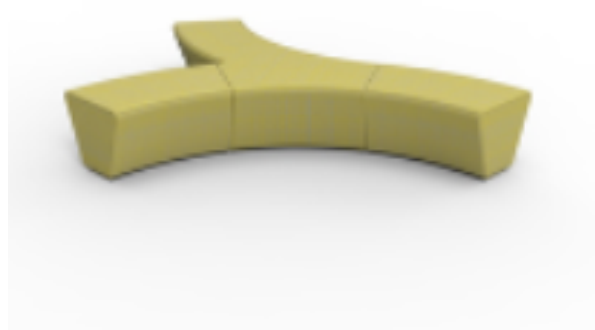


Sculpt it

You can mix a combination of fabric and vinyl options, with a variety of backrest options, in two different radius formats, to delivery an infinite range of configurations to suit exactly what you need for your social and interactive zones.



Product Declaration
Focal
Cara No Back
Y-200



Product description:

Focal is an upholstered bench over an OSB carcass, with a sealed wooden base. It is designed to have an open and inviting feel with customisable and flexible elements. It's curved form helps as a natural group conversation enhancement.

Product specification:

Nestled bench seating composition with upholstery
Easy to clean seam detailing
Vinyl finished upholstery
Combustion Modified High Resilience (CMHR) foam cushioning
Fully wooden OSB frame
Made in Ireland

Product Dimensions

Width: 2331mm Seat Height: 450mm
Depth: 450mm
Height: 450mm

Weight: 41 kg

Company Certification & Accreditations

Through Walls to Workstations:
I.S. EN ISO 14001-2015 - Quality management System
I.S. EN ISO 9001-2015 - Environmental Management System
I.S. EN ISO 45001-2018 - Occupational Health & Safety Management
Registered with the Producer Register Limited

Components:

- 4 x Floorplate
- 4 x Seats

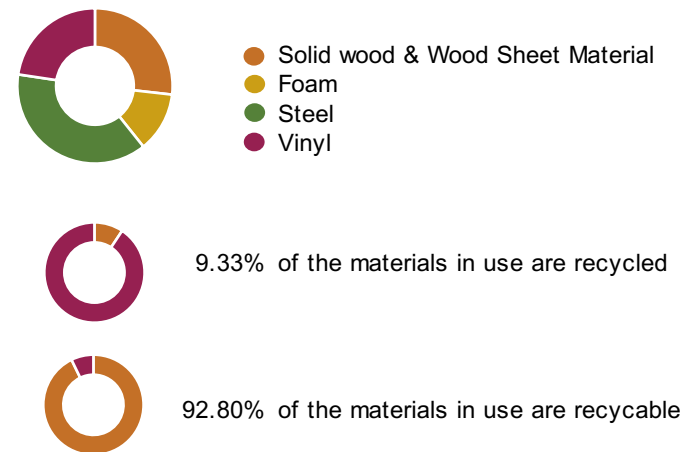
Fire Requirements

The fabric used, complies with UNI 9175:2010 & EN 1021-182
The foam is Combustion Modified High Resilience (CMHR) foam.

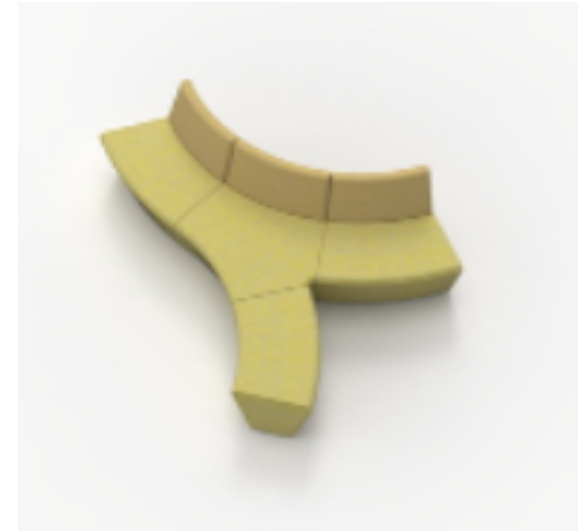
List of Materials

Material	Weight (kg)	Weight (%)
Eucalyptus Plywood 18mm	3.88	9.44%
Medita OSB/4 18mm	2.16	5.25%
MDF 3mm	4.98	12.11%
Steel	15.34	37.29%
40H; 75mm	3.69	8.97%
40H; 15mm	1.44	3.51%
Vinyl	9.31	22.63%
Upholstery Staples	0.15	0.36%
Screw 3x30	0.18	0.44%

Material Breakdown



Product Declaration
Focal
Cara with Back
Y-200-LB



Product description:

Focal is an upholstered bench and backrest over an OSB and Plywood carcass, with a sealed wooden base. It is designed to have an open and inviting feel with customisable and flexible elements. It's curved form helps as a natural group conversation enhancement.

Product specification:

Nestled bench seating composition with upholstery
Easy to clean seam detailing
Vinyl finished upholstery
Combustion Modified High Resilience (CMHR) foam cushioning
Fully wooden OSB frame
Made in Ireland

Product Dimensions

Width: 2331MM Seat Height: 450mm
Depth: 760mm
Height: 760mm

Weight: 104 kg

Company Certification & Accreditations

Through Walls to Workstations:
I.S. EN ISO 14001-2015 - Quality management System
I.S. EN ISO 9001-2015 - Environmental Management System
I.S. EN ISO 45001-2018 - Occupational Health & Safety Management
Registered with the Producer Register Limited

Components:

- 4 x Floorplate
- 4 x Seats
- 3 x Backrests

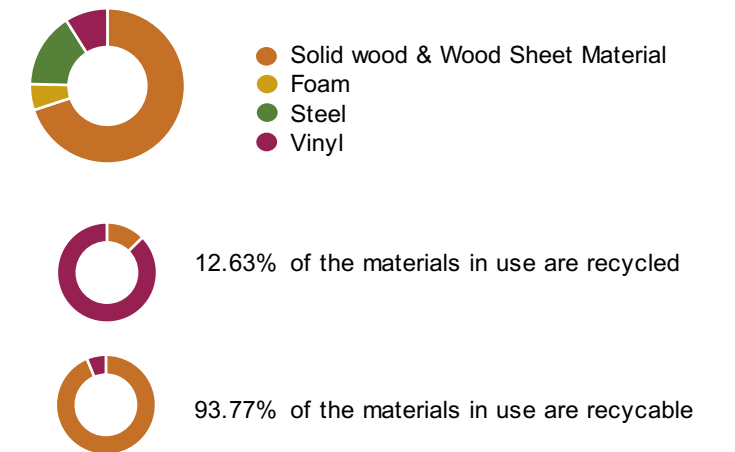
Fire Requirements

The fabric used, complies with UNI 9175:2010 & EN 1021-182
The foam is Combustion Modified High Resilience (CMHR) foam.

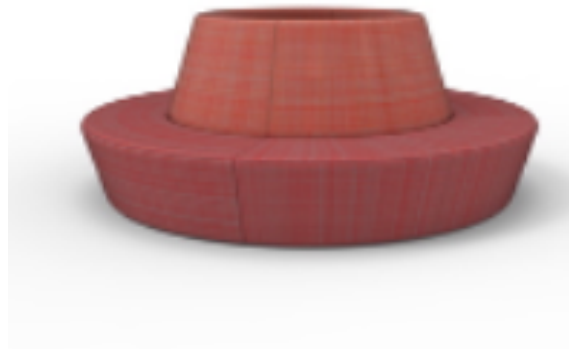
List of Materials

Material	Weight (kg)	Weight (%)
Eucalyptus Plywood 18mm	39.43	37.79%
MDF 3mm	3.42	3.28%
Steel	15.34	14.70%
40H; 75mm	3.69	3.54%
40H; 15mm	1.98	1.89%
Vinyl	9.31	8.92%
Upholstery Staples	0.15	0.14%
Screws 4.0 x30	0.38	0.36%
Birch Ply 4mm	30.08	28.82%
Connector Bolt M6 L30	0.37	0.36%
Inserts L12	0.08	0.08%
Inserts L15	0.12	0.12%

Material Breakdown



Product Declaration
Focal
Clan 360
 O-200-MBI



Product description:

Focal is an upholstered bench and backrest over an OSB carcass, with a sealed wooden base. It is designed to have an open and inviting feel with customisable and flexible elements. It's curved form helps as a natural group conversation enhancement.

Product specification:

Curved 360° bench seating with upholstery
 ø 5000mm
 Easy to clean seam detailing
 Vinyl finished upholstery
 Combustion Modified High Resilience (CMHR) foam cushioning
 Fully wooden OSB and Plywood frame
 Made in Ireland

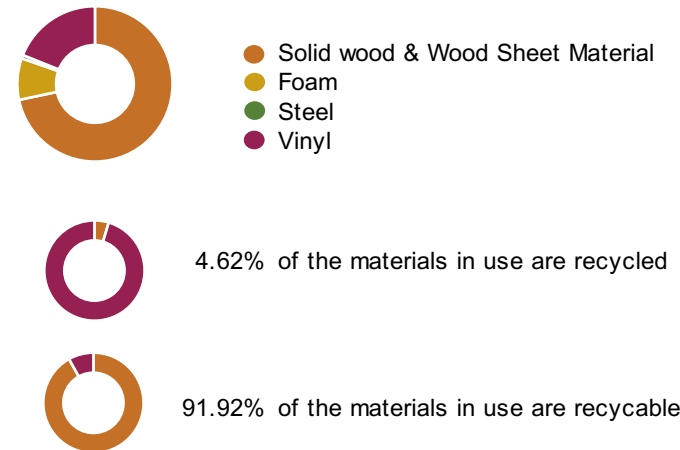
Company Certification & Accreditations

Through Walls to Workstations:
 I.S. EN ISO 14001-2015 - Quality management System
 I.S. EN ISO 9001-2015 - Environmental Management System
 I.S. EN ISO 45001-2018 - Occupational Health & Safety Management
 Registered with the Producer Register Limited

Fire Requirements

The fabric used, complies with UNI 9175:2010 & EN 1021-182
 The foam is Combustion Modified High Resilience (CMHR) foam.

Material Breakdown



Product Dimensions

Width: 1760mm Seat Height: 450mm
 Depth: 1015mm Seat Depth: 460mm
 Height: 1015mm
 Weight: 155 kg

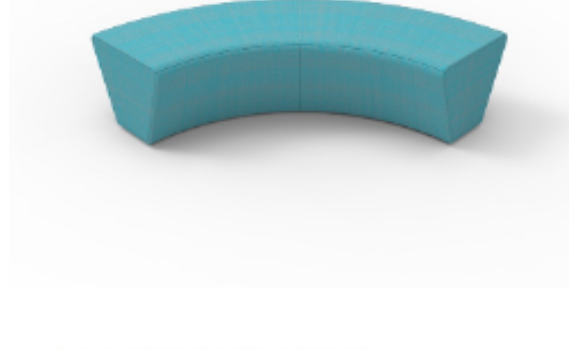
Components:

- 4 x Bench
- 4 x Floorplate
- 4 x Backrest

List of Materials

Material	Weight (kg)	Weight (%)
MDF 3mm	22.05	14.21%
Eucalyptus Plywood 18mm 40H; 75mm	88.03	56.72%
40H; 15mm	4.57	2.95%
Vinyl	29.40	18.94%
Upholstery Staples	0.29	0.18%
Screw 3x30	0.17	0.11%
Meditate OSB/4 18mm	1.20	0.77%
Steel	0.63	0.41%

Product Declaration
Focal
Clan Single No Back
 A-200



Product description:

Focal is an upholstered bench over an OSB carcass, with a sealed wooden base. It is designed to have an open and inviting feel with customisable and flexible elements. It's curved form helps as a natural group conversation enhancement.

Product specification:

Curved 90° bench seating with upholstery
 ø 2500mm
 Easy to clean seam detailing
 Vinyl finished upholstery
 Combustion Modified High Resilience (CMHR) foam cushioning
 Made from FSC certified, High Strength Engineered Wood
 Made in Ireland

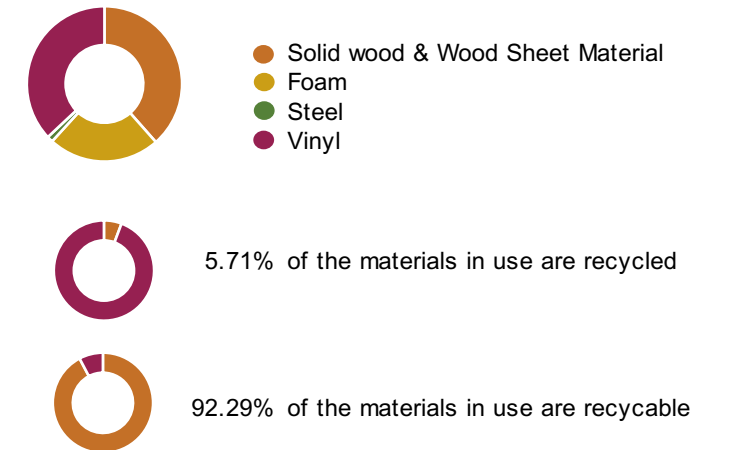
Company Certification & Accreditations

Through Walls to Workstations:
 I.S. EN ISO 14001-2015 - Quality management System
 I.S. EN ISO 9001-2015 - Environmental Management System
 I.S. EN ISO 45001-2018 - Occupational Health & Safety Management
 Registered with the Producer Register Limited

Fire Requirements

The fabric used, complies with UNI 9175:2010 & EN 1021-182
 The foam is Combustion Modified High Resilience (CMHR) foam.

Material Breakdown



Product Dimensions

Width: 1760mm Seat Height: 450mm
 Depth: 450mm Seat Depth: 460mm
 Height: 450mm
 Weight: 8 kg

Components:

- 1 x Bench
- 1 x Floorplate

List of Materials

Material	Weight (kg)	Weight (%)
Meditate OSB/4 18mm	0.99	12.44%
MDF 3mm	2.07	26.03%
40H; 75mm	1.24	15.65%
40H; 15mm	0.61	7.65%
Vinyl	2.94	37.00%
Upholstery Staples	0.02	0.30%
Steel	0.03	0.39%
Screw 3x30	0.04	0.54%

Product Declaration
Focal
Clan Single with Back
 A-200-MBO



Product description:

Focal is an upholstered bench and backrest over an High Strength Engineered Wood carcass, with a sealed wooden base. It is designed to have an open and inviting feel with customisable and flexible elements. It's curved form helps as a natural group conversation enhancement.

Product specification:

Curved 90° upholstered bench seating with backrest
 ø 2500mm
 Easy to clean seam detailing
 Vinyl finished upholstery
 Combustion Modified High Resilience (CMHR) foam cushioning
 Made from FSC certified, High Strength Engineered Wood
 Made in Ireland

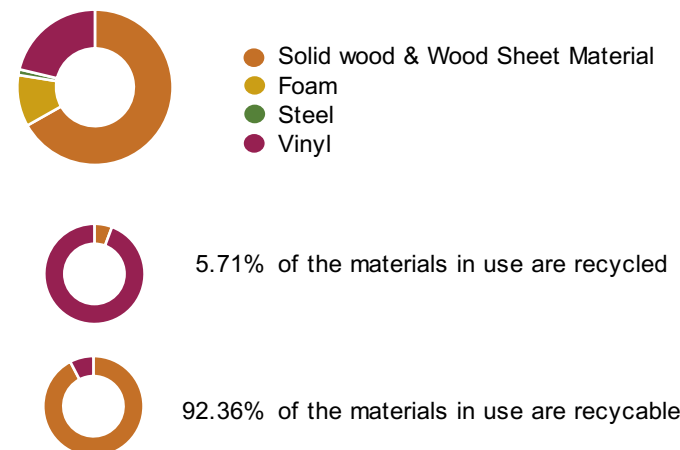
Company Certification & Accreditations

Through Walls to Workstations:
 I.S. EN ISO 14001-2015 - Quality management System
 I.S. EN ISO 9001-2015 - Environmental Management System
 I.S. EN ISO 45001-2018 - Occupational Health & Safety Management
 Registered with the Producer Register Limited

Fire Requirements

The fabric used, complies with UNI 9175:2010 & EN 1021-182
 The foam is Combustion Modified High Resilience (CMHR) foam.

Material Breakdown



Product Dimensions

Width: 2155mm Seat Height: 450mm
 Depth: 1015mm Seat Depth: 460mm
 Height: 1015mm
 Weight: 41 kg

Components:

- 1 x Floorplate
- 1 x Bench
- 1 x Backrest

List of Materials

Material	Weight (kg)	Weight (%)
Birch Ply 18mm	2.20	5.30%
Medite OSB/4 18mm	1.33	3.20%
MDF 3mm	8.95	21.59%
Upholstery Staples	0.17	0.40%
Screw 3x30	0.09	0.21%
40H; 75mm	2.22	5.35%
40H; 15mm	2.23	5.38%
Vinyl	8.82	21.28%
Eucalyptus Plywood 18mm	15.22	36.72%
Steel	0.24	0.57%

Better workplaces in a better world

At GreyFox the principles of longevity, purpose and sustainability guide everything we do; we've built our processes around them. Our furniture is designed to promote the health of its users, whilst sustaining the health of our planet.

Our clients buy less because our products do more. They stand the test of time and the demands of their users.

Our furniture is designed to be easily maintained, renewed and serviced. We keep our products out of landfill, we take them back at end of life and ensure they are repurposed. We manufacture our products locally. We stand over and ensure the sustainability of all stages of our product development.

Our conscience guides the selection of our materials and suppliers. We want to produce furniture made of sustainably forested woods, natural fabrics and water based finishes.

At GreyFox, our commitment to sustainability is resolute. Our environmental conscience guides what we do and will adapt and evolve with us. We design and manufacture for better workplaces in a better world.





With love, care and attention,
in Ireland



GreyFox

A Concept of Urbanism

Casement House,
Clonlara Road,
Baldonnell Business Park,
Dublin 22,
D22Y5H2,
Ireland